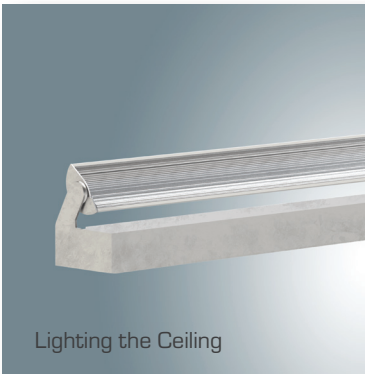


Style S316

Small linear concealed, integral driver



Lighting the Ceiling



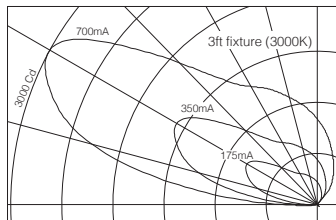
Lighting the Wall

Features

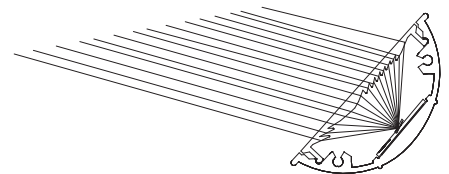
- Asymmetric distribution - uniform surface illumination
- Wide lateral distribution - no socket shadows
- Fully adjustable and lockable optic assembly
- Integral driver with optional pre-wired harness
- Slim profile - ideal for tight covers

Performance

Precisely extruded acrylic lens produces an asymmetric distribution ideal for illuminating ceilings evenly.

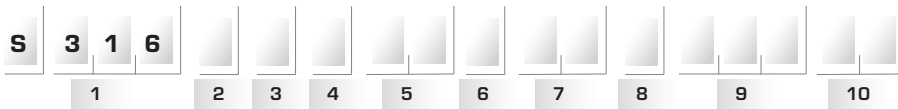


L85(17k) > 104,000 hrs. @ 25°C per TM-21
L85(9k) > 54,000 hrs. @ 25°C per TM-21



For LM79 and photometric reports, visit thelightingquotient.com

PROJECT	TYPE
---------	------



CATALOG NUMBER

1 STYLE

S316 = Small linear concealed LED with integral driver

2 OUTPUT / POWER

- L** = Low output (3.3W per foot)
- S** = Standard output (6.5W per foot)
- H** = High output (13W per foot)

3 LENGTH

ORDER CODE	LENGTH	LUMENS	INPUT WATTS
2	2'	3713	28
3	3'	5570	41
4	4'	7427	55
5	5'	9283	69
6	6'	11140	83
7	7'	12997	96
8	8'	14853	110
9	9'	16710	124

Based on 3500K, 90+ CRI See [Scaled Performance Table](#)

4 MOUNTING

S = Sidearms with mounting tabs

5 FINISH

- 00** = Anodized optical housing/heat sink; mill finish brackets and driver enclosure; stainless steel luminaire hardware [natatorium use option is painted]
- 02** = For damp / natatorium use. Driver enclosure and mounting brackets finished semi-gloss white, optical housing/heat sink are bright anodized

6 VOLTAGE

- M** = 120-277V Universal voltage input
- T** = 347V input

7 OPTIONS *(see Accessories Section for specifications)*

- 00** = No options
- OK** = Modular through-wire harness with quick connectors
- OP** = **Natatorium** use; side arms, driver box pretreated and painted semigloss white
- PK** = Natatorium use with through-wire harness

8 DESTINATION REQUIREMENT

- O** = CSA certified for U.S.
- J** = CSA certified for Canada

9 COLOR TEMPERATURE / CRI

- 927** = 2700K, 90+ CRI
- 930** = 3000K, 90+ CRI
- 935** = 3500K, 90+ CRI
- 940** = 4000K, 90+ CRI
- D2W** = Dim-to-Warm 2200K-3000K, 90+ CRI, other CCTs available
- TWH** = Tunable White; 2700K-6500K, 90+ CRI
- RGB** = Color Tunable; RGBW with 3500K, 90+ CRI white

NOTE: Additional CCT and CRI options are available; consult factory.



Static



Dim2Warm



Tunable

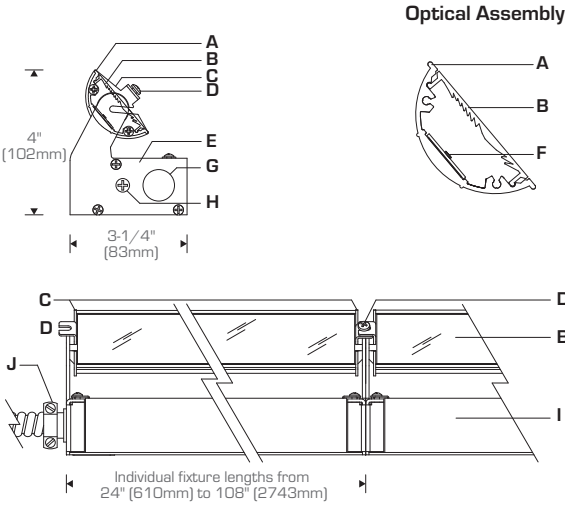


RGBW

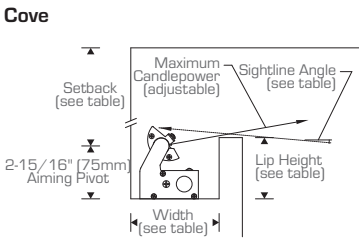
10 DIMMING

- 00** = Non-dimming
- ZX** = 0-10V analog dimming 120-277V or 347V input, dimming 100%-1%, 0-10V controls by others
- TD** = ERP forward or reverse phase 120V only, dimming 100%-6%, 120V phase controls by others
- EL** = 0-10V eldoLED SOLOdrive, 120-277V input, dimming 100%-0.1%, 0-10V controls by others
- ED** = DALI eldoLED SOLOdrive, 120-277V input, dimming 100%-0.1%, DALI controls by others
- DZ** = D2W or TWH 2-Channel driver for use with 0-10V controls by others
- DD** = D2W or TWH 2-Channel DALI driver (DALI controls by others)
- DA** = RGBW 4-Channel DMX module (DMX controls by others)
- DM** = RGBW 4-Channel eldoLED LINEARdrive (DMX controls by others)

Lighting the Ceiling Small linear concealed, integral driver



- A** Serviceable extruded aluminum heat sink/housing
- B** Extruded acrylic beam shaping lens
- C** Stainless steel end plates with interlocking tabs
- D** Rotation locking tab with locking set screw
- E** Aluminum side arm with adjustable mounting tab (fasteners by others)
- F** Constant current LED board
- G** Conduit entry (one each end, conduit and connectors by others)
- H** Driver/housing joiner screw (one per fixture)
- I** Extruded aluminum driver housing and drivers
- J** Supply conduit and connections by others

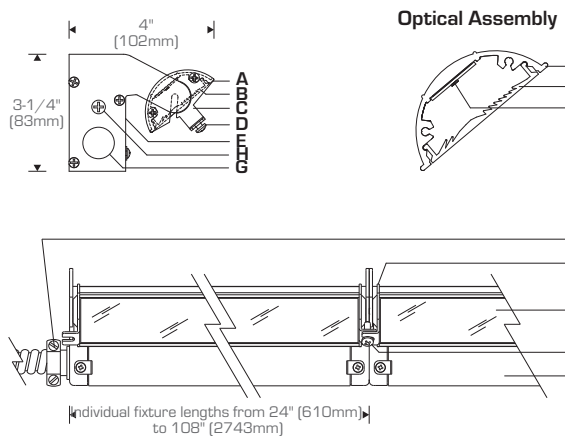


Cove Dimensions
(maximum candlepower aimed 15° above horizontal)

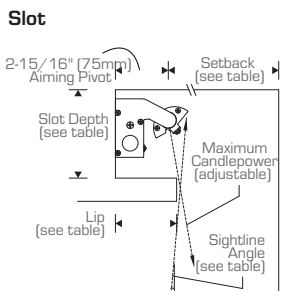
Sightline	0° (horiz. cutoff)	5°	10°
Width (inside)	5-1/8" (130mm)	4-1/4** (108mm)	4-1/4** (108mm)
Lip (inside)	4" (102mm)	3-5/8" (92mm)	3-1/4" (83mm)
Setback	12" (305mm) min. recommended for 175mA, 18" (457mm) for 350mA; 24" (610mm) for 700mA.		

*Minimum for removal of wireway cover.
Note: Finish interior of cove matte white for best results.

Lighting the Wall Small linear concealed, integral driver



- A** Serviceable extruded aluminum heat sink/housing
- B** Extruded acrylic beam shaping lens
- C** Stainless steel end plates with interlocking tabs
- D** Rotation locking tab with locking set screw
- E** Aluminum side arm with adjustable mounting tab (fasteners by others)
- F** Constant current LED board
- G** Conduit entry (one each end, conduit and connections by others)
- H** Driver/housing joiner screw (one per fixture)
- I** Extruded aluminum driver housing and drivers
- J** Supply conduit and connectors by others



Slot Dimensions
(maximum candlepower aimed 15° above horizontal)

Sightline	0° (horiz. cutoff)	5°	10°
Width (inside)	5-1/8" (130mm)	4-1/4** (108mm)	4-1/4** (108mm)
Lip (inside)	4" (102mm)	3-5/8" (92mm)	3-1/4" (83mm)
Setback	12" (305mm) min. recommended for 175mA, 18" (457mm) for 350mA; 24" (610mm) for 700mA.		

*Minimum for removal of wireway cover.
Note: Finish interior of cove matte white for best results.

Specifications

Housing and Optic Assembly:

Extruded aluminum heat sink/optic housing. Exterior heat sink anodized for maximum emissivity. Stainless steel end plates. Extruded acrylic refractive semi-diffuse asymmetric beam shaping lens. Extruded aluminum driver housing and removable cover.

Finish:

Optic assembly – bright anodized aluminum. Side arms and driver compartment – mill finish aluminum or painted semigloss white for natatorium option. Painted surfaces receive a 6-stage pretreatment process prior to electrostatically applied baked powder enamel.
All hardware – stainless steel.

Mounting:

Lay-in installation, side arms with mounting tabs can be base or wall mounted (fasteners by others). Luminaires can be mounted individually or joined together to form a continuous row. Optical assembly aiming is adjustable and is fixed in position by rotation locking screws at each side arm. When mounted in a continuous row, assemblies lock together allowing all in the row to be aimed together.

Fixture weight: 1.7 lb/ft (2.5 kg/m).

Electrical:

Use 90°C wire for supply connections. Integral electronic Class II drivers. For complete driver specifications, see website, reference document **MA-1303**. Driver/wireway compartment includes one conduit entry at each end. Channel cover is removable for access to driver and wiring. Luminaires may be butted end-to-end (connectors by others) for through wiring. Optional #12 AWG prewired modular through-wiring with quick connectors. Optional, compatible dimming controls (by others). See website for dimming compatibility and specifications.

Standard:

UL listed or CSA certified for damp locations.
For natatorium use, specify **OP** or **PK** option.
5 year warranty, maximum ambient temperature 45°C (113°F).

Controls

LiQ luminaires are compatible with a wide variety of wired and wireless controls and sensors. See [Controls Information](#).

AWB-TP-DMX-0 = RGBW LED dimmer switch fits in a standard wall switch box and provides on/off control as well as fixed levels of dimmability. The dimmer switch has a color-selection wheel for thousands of color options, 10 dynamic color-changing/single color modes, 0-100% dimming, on/off controls, and 4 color-specific channel controls for red, green, blue, and white.

Additional wired and wireless controls available, see [Driver and Controls Information](#).

