

Style S159

XtraSmall Outdoor with remote driver

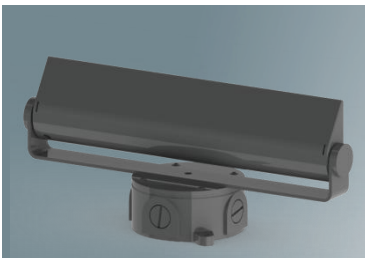
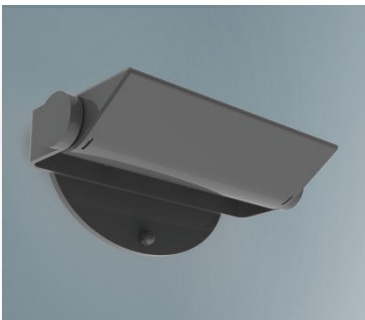
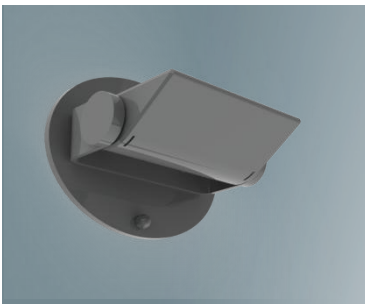
LiQ

Lighting IQ Rising
The Lighting Quotient

elliptipar®



George R. Brown Convention Center | Lighting Design: Lighting Design Alliance | Photography: Jonnu Singleton



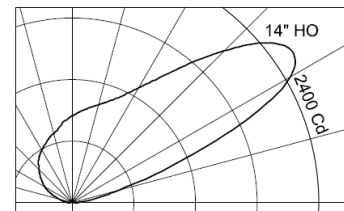
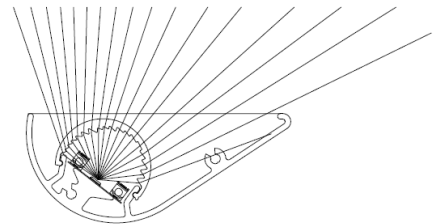
Features

- Small yet powerful 3.8" x 1.8", up to 3513 delivered lumens
- **IP68** ingress protection
- **IK10** impact rating
- Marine Grade finish, complies with 1000 hour salt spray
- All aluminum and stainless steel construction
- Static white (3000K, 3500K, 4000K), Dim-to-Warm, Tunable White or RGBW

Performance

Precisely extruded acrylic lens produces an asymmetric distribution ideal for illuminating vertical surfaces evenly from top to bottom

For LM79 and photometric reports, visit thelightingquotient.com



L85(17k) > 104,000
hrs. @ 25°C per TM-21

PROJECT **TYPE**

S159 **CATALOG NUMBER**

1 2 3 4 5 6 7 8 9 10

1 STYLE

S159 = Outdoor point source adjustable asymmetric uplight with remote driver

2 OUTPUT / POWER

S = Standard output
H = High output

3 LENGTH

ORDER CODE	LENGTH	LUMENS	INPUT WATTS
S-04	04"	519	5
S-08	08"	1037	10
S-14	14"	1683	15
H-04	04"	770	8
H-08	08"	1540	15
H-14	14"	3080	30

Based on 3500K, 90+CRI See [Scaled Performance Table](#)

4 MOUNTING

E = Yoke with flat canopy over recessed outlet box (by others)
S = Yoke with flat canopy and round outdoor surface junction box for direct feed from sides or top finish to match fixture.
X = Yoke mounted for use with ACJ cantilever

5 FINISH * non-cancellable/non-returnable

02 = Semigloss White **08** = Semigloss Black **18** = Copper*
06 = Dark Bronze* **15** = Metallic* **99** = Custom or RAL (Consult Rep.)
07 = Silver* **17** = Champagne*



6 VOLTAGE

M = 120-277V Universal voltage input

7 OPTIONS (see Accessories Section for specifications)

00 = Standard output
0B = Cross baffle, provides 25° lateral shielding
0D = Indoor remote driver

8 DESTINATION REQUIREMENT

0 = CSA certified for U.S.
J = CSA certified for Canada

9 COLOR TEMPERATURE / CRI

930 = 3100K*, 90+ CRI **TWH** = Tunable White; 3100K-6500K*, 90+ CRI
935 = 3700K*, 90+ CRI
940 = 4500K*, 90+ CRI **RGB** = Color Tunable; RGBW with 4500K*, 90+ CRI white
*CCT after potting

NOTE: Additional CCT and CRI options are available; consult factory.

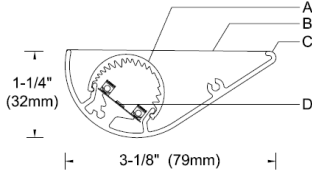


10 DIMMING

00 = Non-dimming
ZX = 0-10V analog dimming 120-277V or 347V input, dimming 100%-1%, 0-10V controls by others
TD = ERP forward or reverse phase 120V only, dimming 100%-6%, 120V phase controls by others
EL = 0-10V eldoLED SOLOdrive, 120-277V input, dimming 100%-0.1%, 0-10V controls by others
ED = DALI eldoLED SOLOdrive, 120-277V input, dimming 100%-0.1%, DALI controls by others
DZ = D2W or TWH 2-Channel driver for use with 0-10V controls by others
DD = D2W or TWH 2-Channel DALI driver (DALI controls by others)
DA = RGBW 4-Channel DMX module (DMX controls by others) **DM** = RGBW 4-Channel eldoLED LINEARdrive (DMX controls by others)

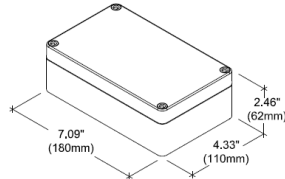
XtraSmall Outdoor with Remote Driver

Optical Assembly

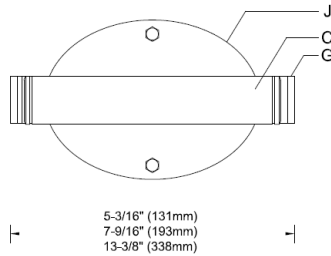
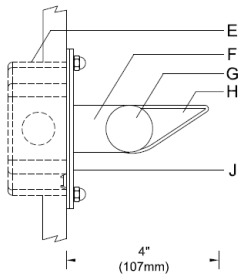


Remote Driver Enclosure

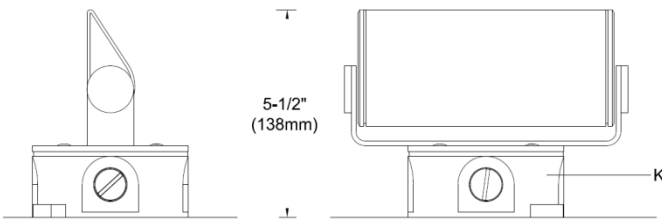
See remote LED driver document MA-1501 for dimensions, wiring, mounting instructions



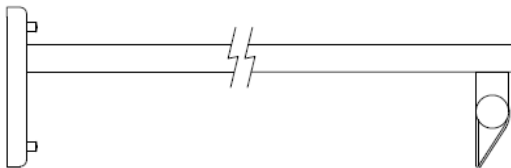
Wall Mounted



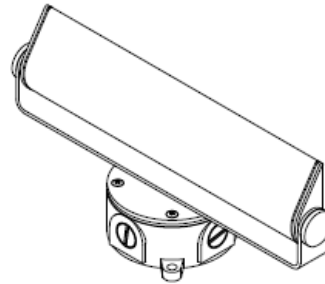
Base Mounted



Cantilever Mounted



- A** Extruded asymmetric distribution lens
- B** Aluminum end plate
- C** Extruded aluminum housing
- D** High efficiency LED array
- E** Recessed junction box (by others)
- F** Formed aluminum yoke
- G** Machined aluminum knob
- H** Machined aluminum decorative end cap
- J** Aluminum mounting plate and canopy
- K** Die cast aluminum surface junction box



Specifications

Housing and Optic Assembly:

Extruded aluminum heat sink/optic housing. Heat sink anodized for maximum emissivity. Precision extruded polymer refractive lens with optimal diffusion. LED boards and connectors are fully encapsulated with water-clear silicone.

Finish:

Extruded aluminum heat sink/housing, aluminum reveal plates and end plates finished white, black or custom color. Formed aluminum canopy, end hubs and stems painted white or black. Painted surfaces – 6 stage pretreatment and electrostatically applied thermoset polyester powder coating for a durable abrasion, fade and corrosion resistant finish, complies with UL1598A Marine grade finish. All hardware – stainless steel or nickel plated brass.

Mounting:

E-mount formed aluminum yoke with flat canopy mounts over recessed outlet box (by others).
 S-mount formed aluminum yoke with flat canopy and round outdoor surface box for direct feed from sides or rear.
 X-mount formed aluminum yoke mounts to pendant or cantilever accessory (ordered separately). Fixture weight: 4"=1.5 lbs (0.7 kg); 8"=1.8 lbs (0.8 kg); 14"=2.5 lbs (0.9 kg)

Electrical:

Luminaire furnished with 10 foot (3048mm) SJ00W cord for connection to remote driver. Electronic HPF thermally protected Class II driver mounted in weather-proof enclosure or optional indoor dry enclosure. For complete driver specifications, see website, reference document *MA-1501*.

Standard:

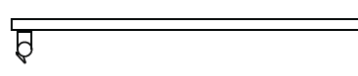
CSA certified for wet locations
 Ingress rating: IP68,
 Impact rating: IK10
 Marine Grade Finish: 1000 hour salt spray per ASTM B117
 5 year warranty
 Maximum ambient temperature 45°C (113°F).

Required Mounting Hangers

Lighting The Vertical

Required **ACJ** cantilever hanger for mount are ordered and priced separately. See installation sheets on website.

ACJ — **30** = Cantilever, 30" (760mm) setback (for use with X-mount)
O = U.S.
J = Canada
5 Finish



AMS — **000** = Surface mount splice box for use with ACJ cantilever
5 Finish



Controls

LiQ luminaires are compatible with a wide variety of wired and wireless controls and sensors. See [Controls Information](#).

AWB-TP-DMX-O = RGBW LED dimmer switch fits in a standard wall switch box and provides on/off control as well as fixed levels of dimmability. The dimmer switch has a color-selection wheel for thousands of color options, 10 dynamic color-changing/single color modes, 0-100% dimming, on/off controls, and 4 color-specific channel controls for red, green, blue, and white.

Additional wired and wireless controls available, see [Driver and Controls Information](#).

